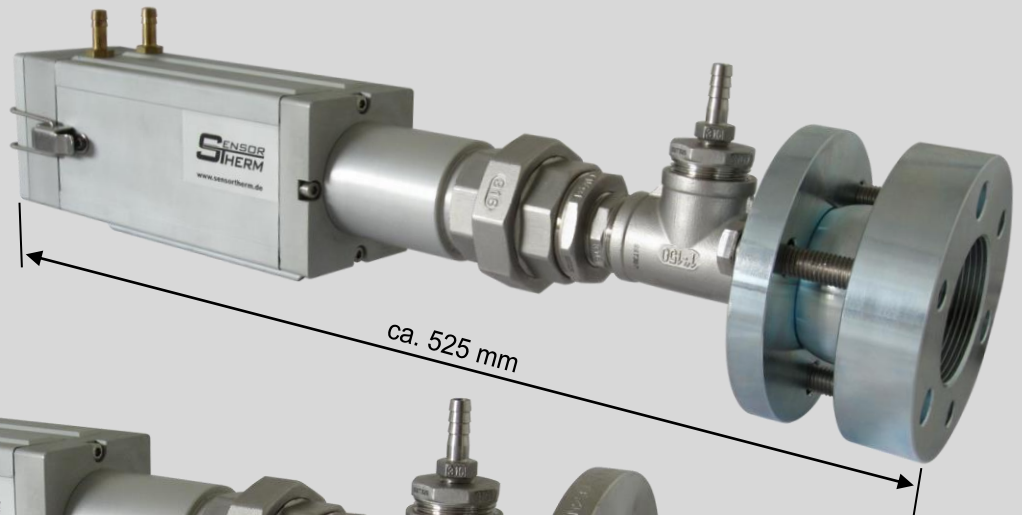


Flange System FS10 / 13 / 20 / 23

For all Metis Series Pyrometers

With swivel mount



With flange



The flange system is a complete unit for protected installation of a pyrometer to harsh environmental conditions, such as mounting on an oven. It consists of

- a cooling housing with protective window, optional calcium fluoride (for pyrometer models with a spectral range up to 8 μm) or sapphire (scratch and abrasion resistant, for pyrometer models with a spectral range up to 5 μm)
- a flange adapter system with purge air supply
- a flange or swivel mount to align the pyrometer to the measuring object

Reference numbers:

| Reference numbers: | Calcium fluoride window | Sapphire window |
|---|-------------------------|-----------------|
| Flange system with flange | FS10-02 | FS10-04 |
| Flange system with flange for Metis with TV connector | FS13-02 | FS13-04 |
| Flange system with swivel mount | FS20-02 | FS20-04 |
| Flange system with swivel mount for Metis with TV connector | FS23-02 | FS23-04 |

Technical Data

| | |
|-----------------------|---|
| Cooling housing | Anodized aluminum, 2.3 kg, 8 mm hose connection, water pressure max. 8 Bar |
| Flange adapter system | Stainless steel, 1 kg, 9 mm hose connection for air purge |
| Flange | DN25 PN10/16, stainless steel, 1.2 kg, outer \varnothing 115 mm, screw hole depth 15 mm mounting hole circle \varnothing 85 mm, 4 screw holes 14 mm |
| Swivel mount | Galvanized steel, 3.8 kg, outer \varnothing 120 mm, G2 pipe thread, mounting hole circle \varnothing 90 mm, 3 screw holes 14 mm, screw hole depth 30 mm |